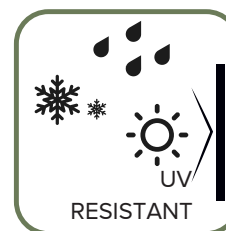
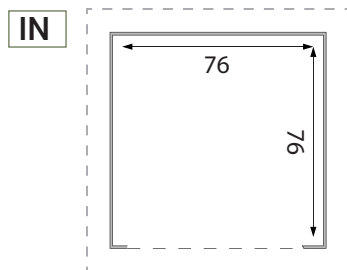
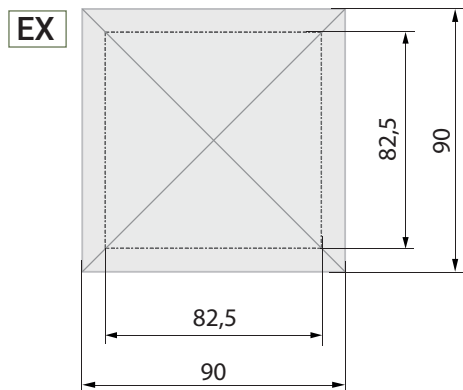
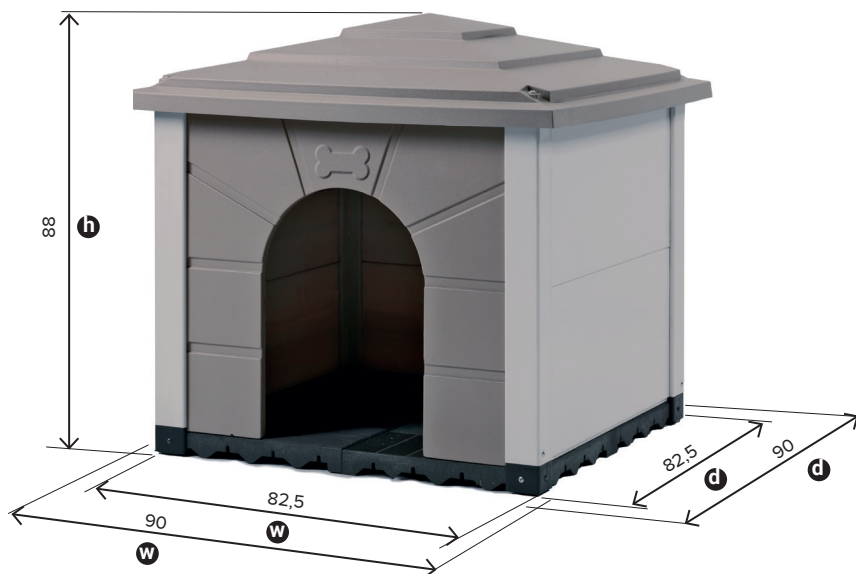


DATA SHEET / SCHEDA TECNICA

DOGGY URBAN 80

COD: V48.03.005

COD. EAN 8032605800145



	ROOF ASA	STRUCTURE PVC	FLOOR WPC	PANEL PVC
	ROOF AREA w: 90 d: 90	EX w: 82,5 d: 82,5 h: 88 IN w: 76 d: 76 h: 83	DIM. 1 TILE w: 40 d: 40 h: 4,5	th: 2
	color: grey ral_7039	color: grey ral_7035		
	n.box/item: 1 box size: 1 : 93,5x23x101 weight: 20,5 kg pz/pallet: 11 pallet max size: 101x120x224		UNIT OF MEASURE: CM	