

ISTRUZIONI DI MONTAGGIO | ASSEMBLY INSTRUCTION | INSTRUCTIONS DE MONTAGE | INSTRUCCIONES DE INSTALACIÓN | MONTAGEANWEISUNGEN

## MODULAR SCARPIERA



85/S1/SC  
V06.01.005



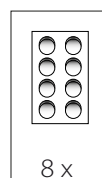
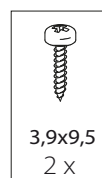
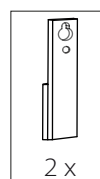
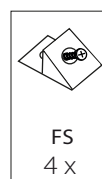
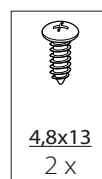
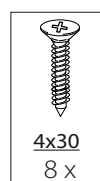
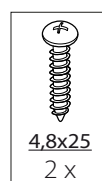
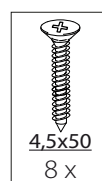
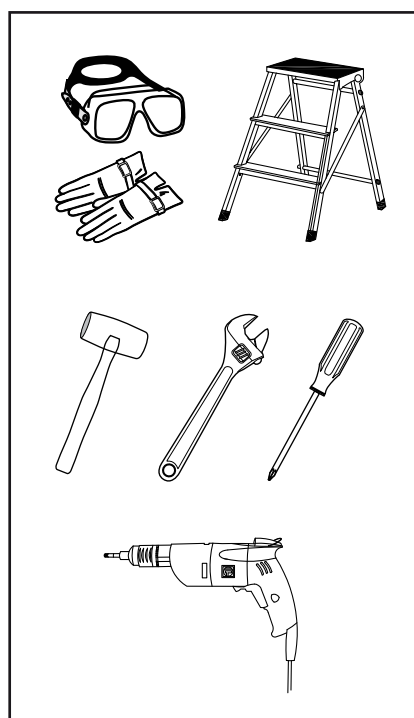
115/S1/SC  
V06.01.006

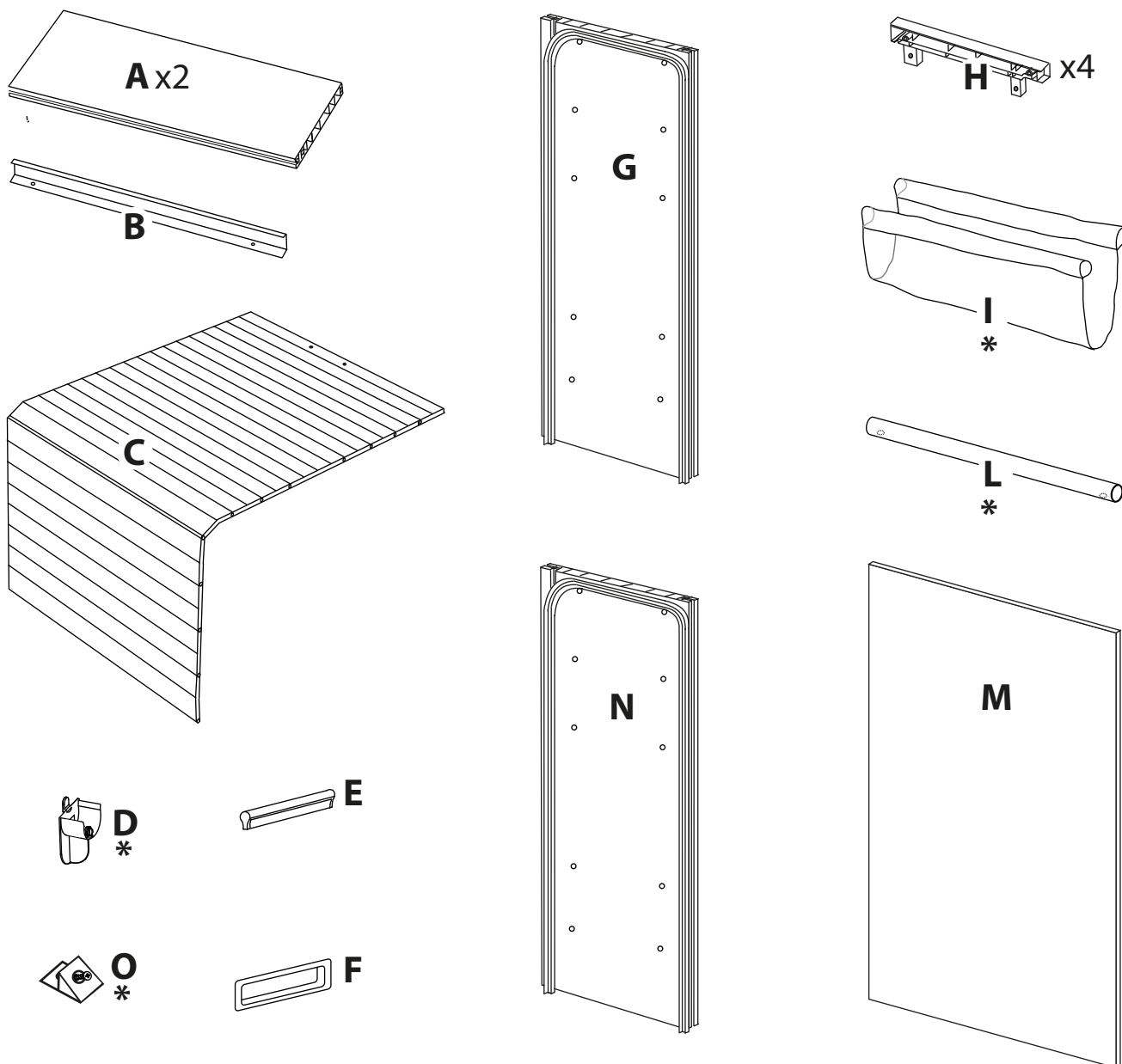


145/S1/SC  
V06.01.007

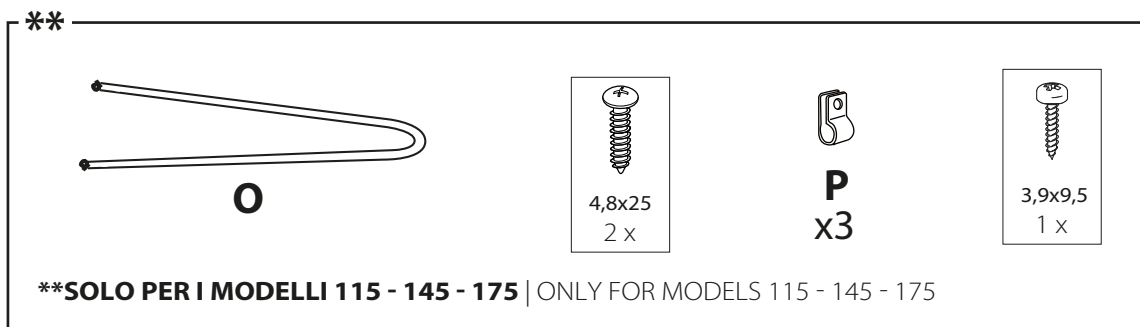


175/S1/SC  
V06.01.008





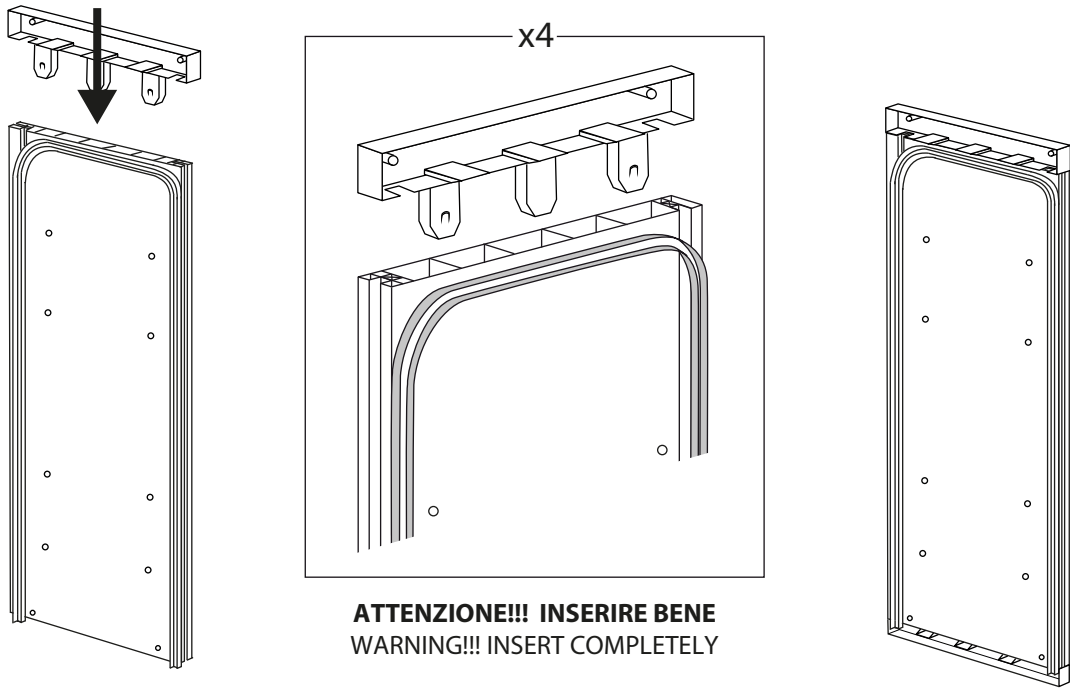
2x (MOD. 85)  
4x (MOD. 115 - 145 - 175)



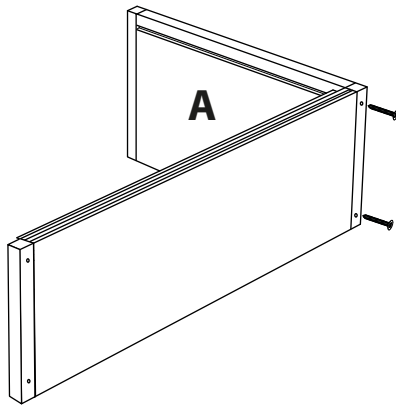
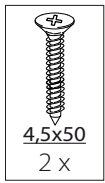
**\*NUMERO COMPONENTI | NUMBER COMPONENTS**

- **MOD.85** - V06.01.005: **D** x8, **I** x2, **L** x4, **O** x2
- **MOD.115** - V06.01.006: **D** x12, **I** x3, **L** x6, **O** x4
- **MOD.145** - V06.01.007: **D** x16, **I** x4, **L** x8, **O** x4
- **MOD.175** - V06.01.008: **D** x20, **I** x5, **L** x10, **O** x4

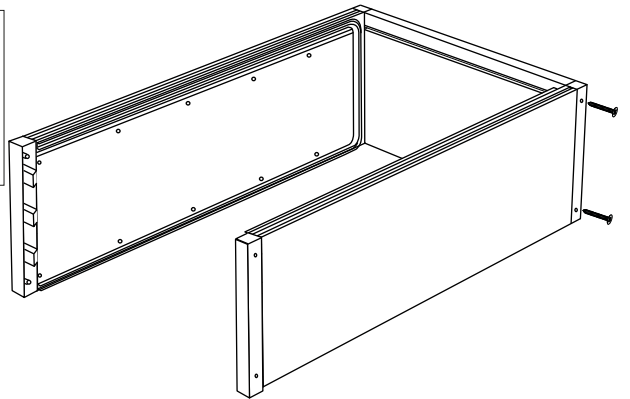
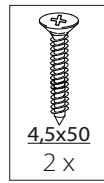
1.



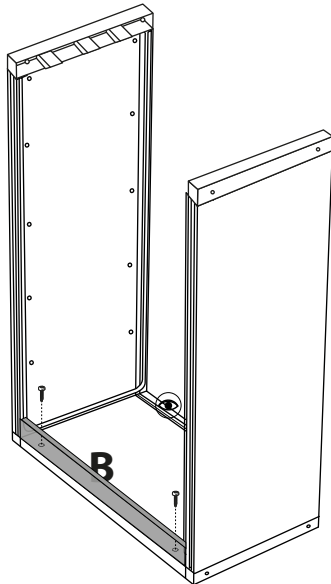
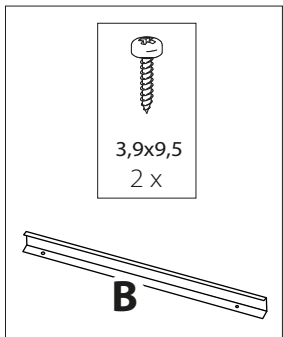
2.



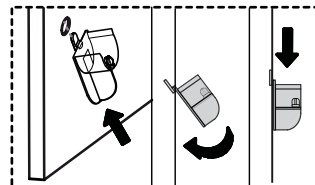
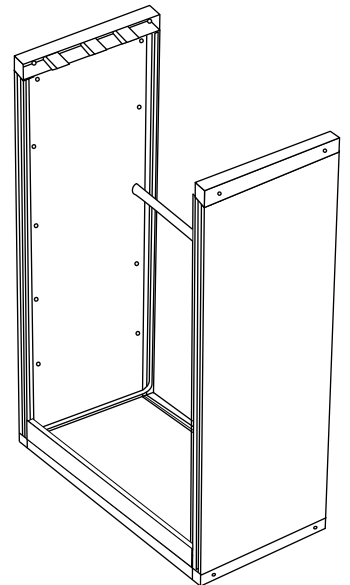
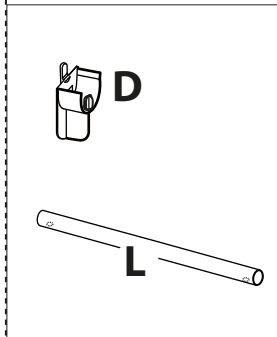
3.



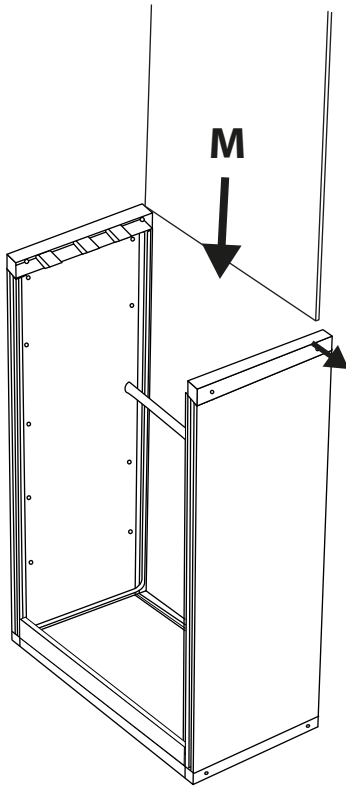
4.



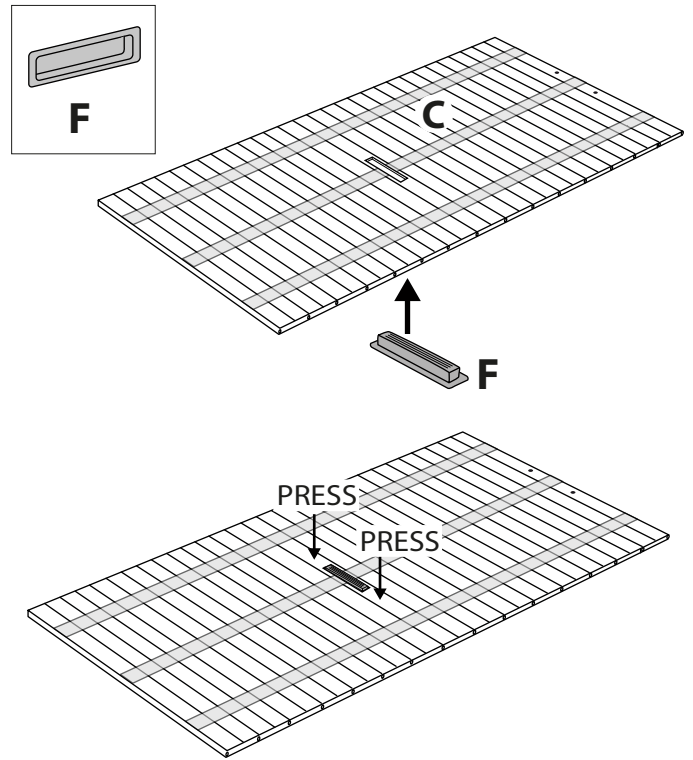
5.



6.

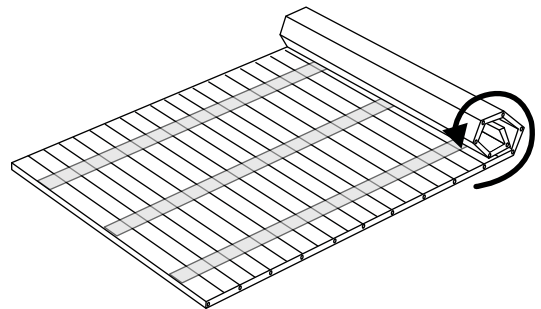
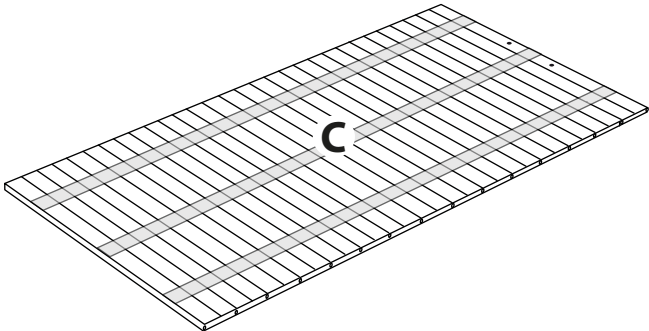


7.

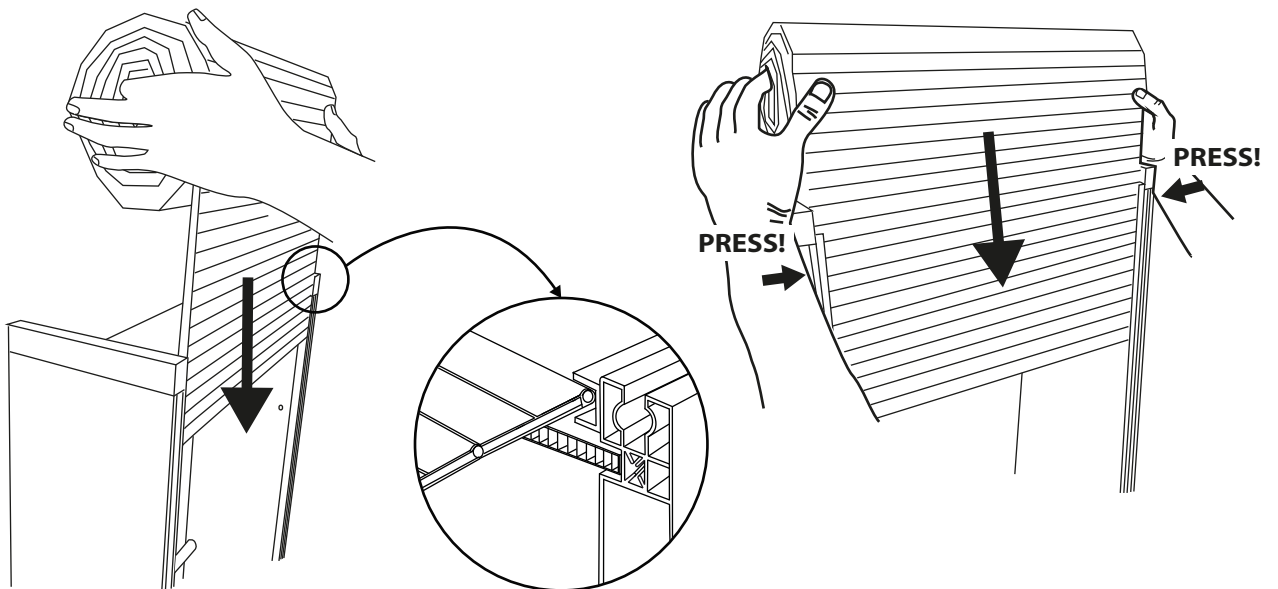


8.

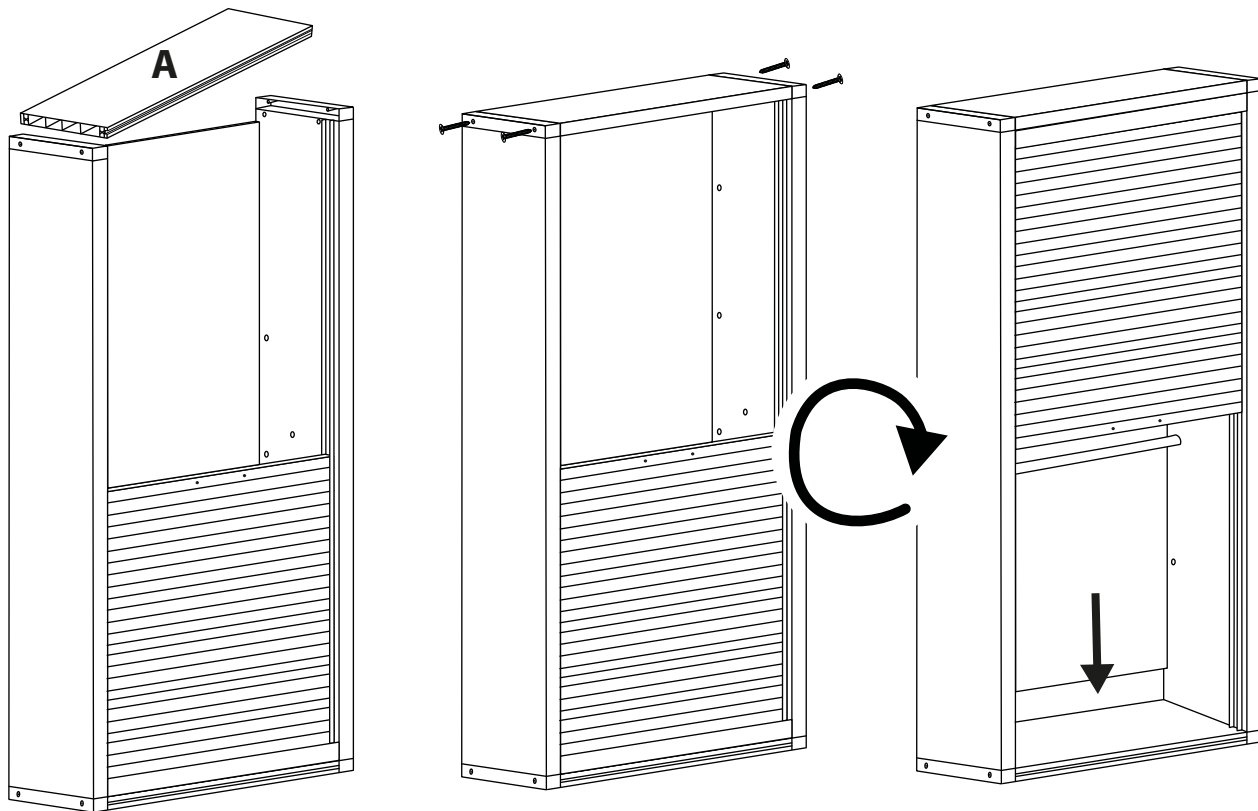
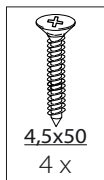
**ARROTOLARE LA TAPPARELLA | ROLL THE SHUTTER | ENROULER LE VOLET ROULANT | ENROLLAR LA PERSIANA | KLASPE AUFROLLEN**



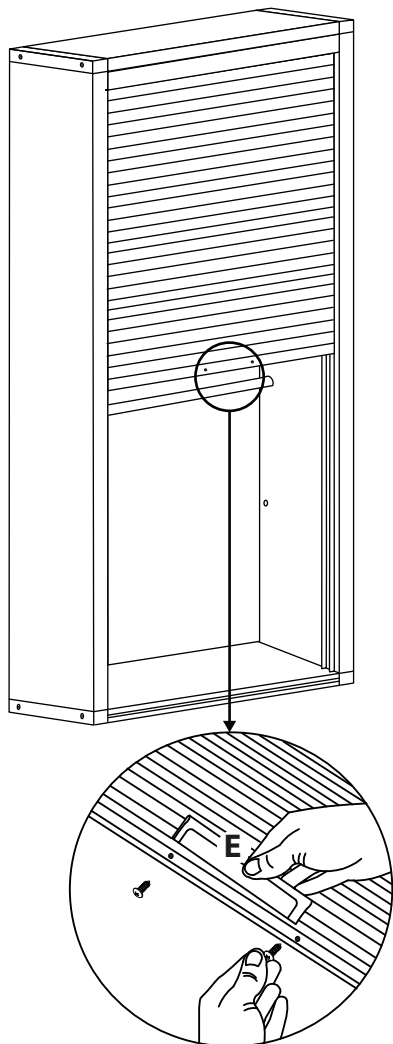
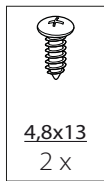
9.



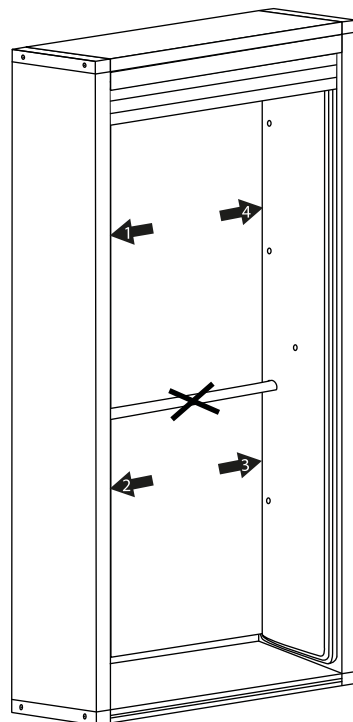
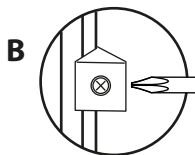
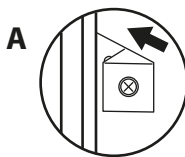
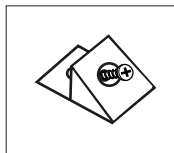
# 10.



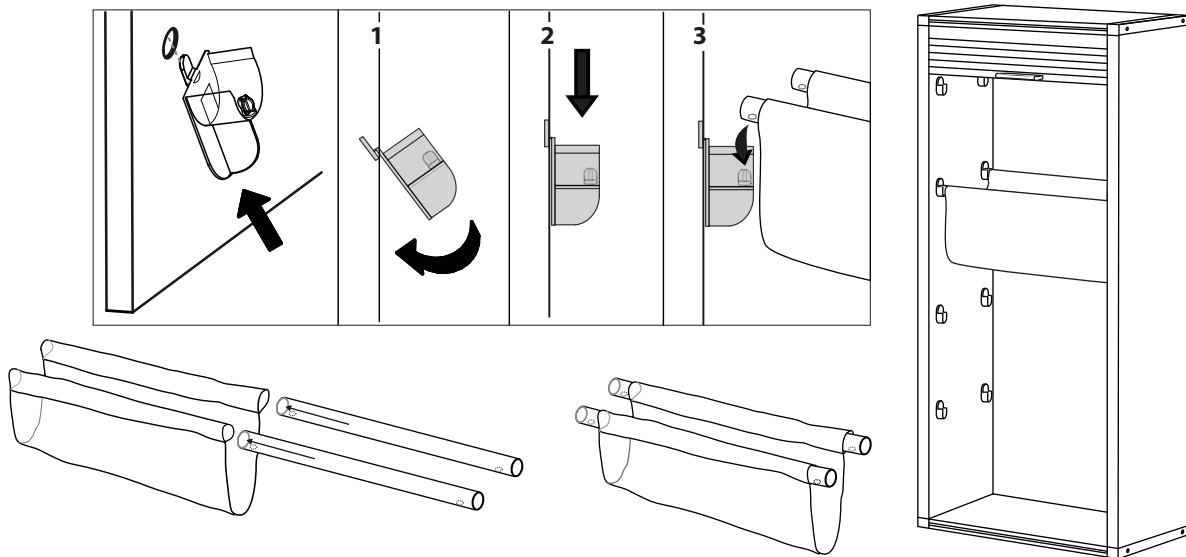
# 11.



# 12.

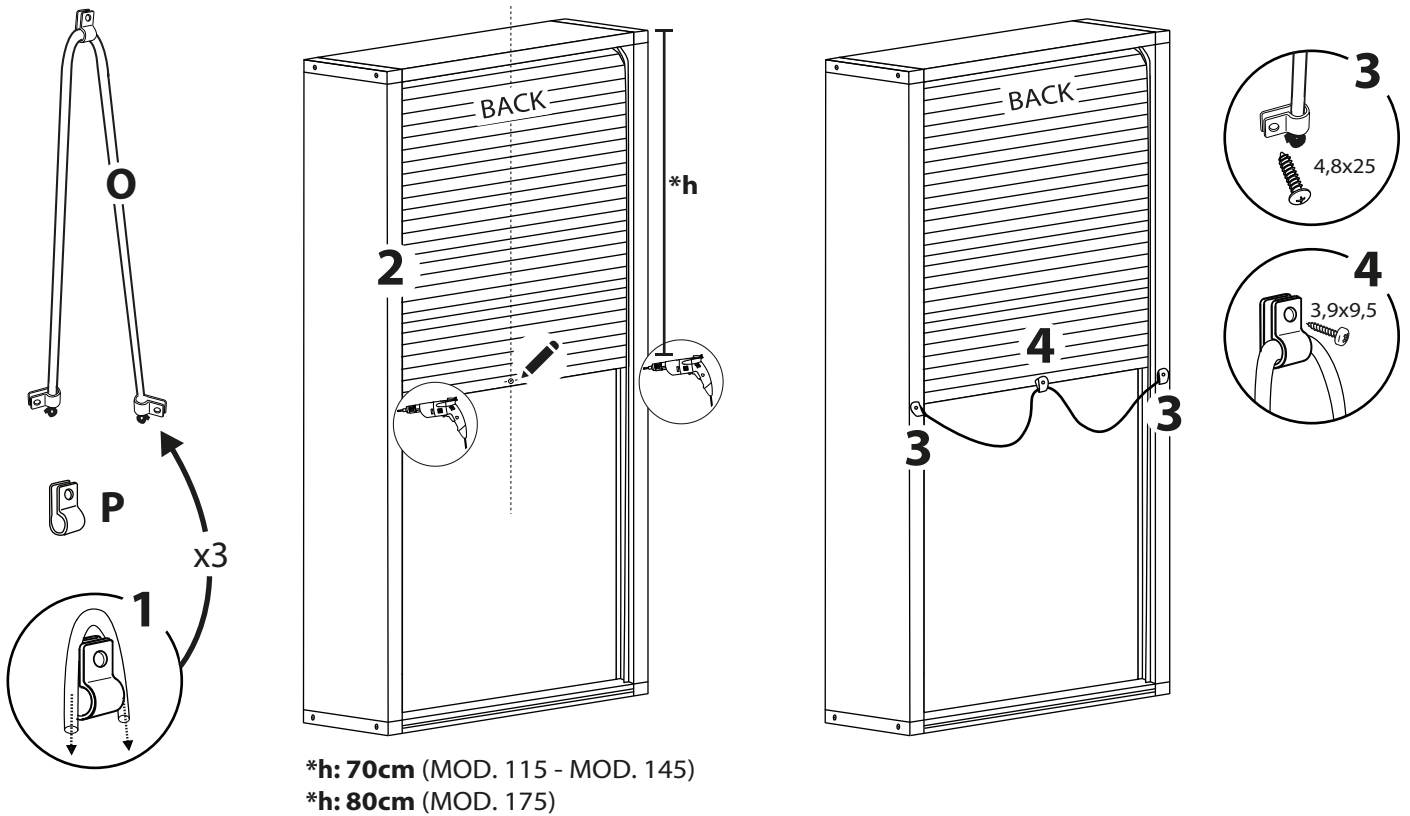


# 13.



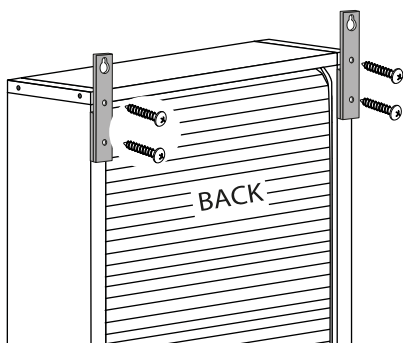
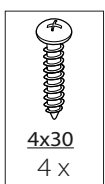
# 14.

**STEP VALIDO SOLO PER I MODELLI 115 - 145 - 175 | STEP VALID ONLY FOR MODELS 115 - 145 - 175 | ÉTAPE VALIDE UNIQUEMENT POUR LES MODÈLES 115 - 145 - 175 | PASO VÁLIDO SOLO PARA MODELOS 115 - 145 - 175 | ABSCHNITT NUR FÜR MODELLE GÜLTIG 115 - 145 - 175**



# 15.

**FISSARE AL MURO | FIX TO THE WALL | ATTACHER AU MUR | ADJUNTAR A LA PARED | AN DER WAND BEFESTIGEN**



**ATTENZIONE! | WARNING!**  
**PER RAGIONI DI SICUREZZA è OBBLIGATORIO IL FISSAGGIO AL MURO | FOR SAFETY REASONS IT IS MANDATORY ATTACHMENT TO WALL**

